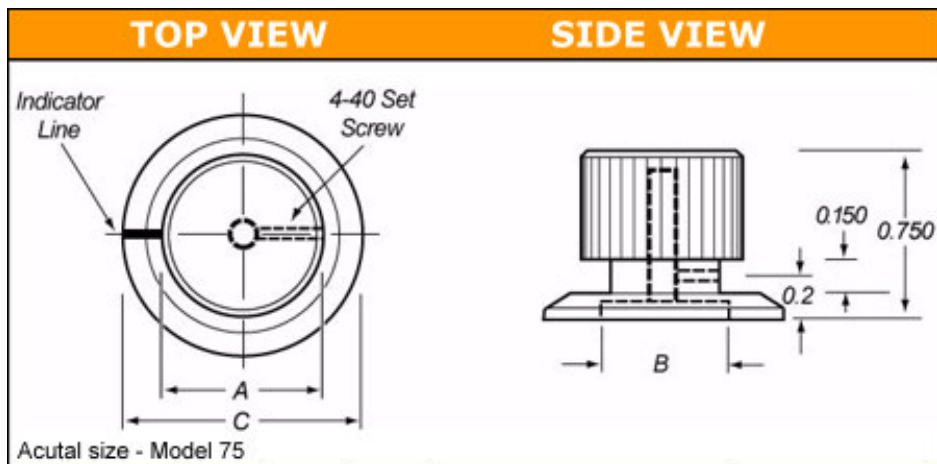


Mechanical Specifications: **DDSPT SERIES**



Push to Turn Knob

DDSPT Series: The distinctively engineered knob eliminates revolution due to incidental contact. The knob must be depressed before rotation can occur. Saw cut indicator line located on skirt. Single 4-40 set screw.



MODEL	A	B	C	COLOR CHOICE	SHAFT
75	.750	.590	1.113	1 - CLEAR GLOSS	5 - .250
				2 - BLACK GLOSS	6 - .125
				3 - CLEAR MATTE	6mm - 6mm
				4 - BLACK MATTE	

contact:



1952 Ironton Blvd
Provo, UT 84606
USA

TEL 801.377.5530
FAX 801.377.5573